



CUSTOM INSERTS ORDER FORM

Please print this order form and fill in the information to order your custom inserts. Send the form along with your check or money order made out to *O'Hare Tool Distant Thunder Products*, PO Box 138, Niagara, WI 54151.

Fill in the style and dimensions for each insert you would like. Refer to the price sheet for different styles. Or, if you want something not shown, give me a call to work out the details and pricing: 715-251-3839.

▶▶ Please remember to make your check or money order payable to O'Hare Tool. ◀◀

EXAMPLE

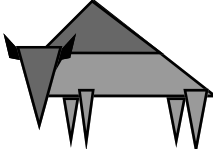
Style of insert #1 2 WIRE APERTURE

Aperture diameter .100

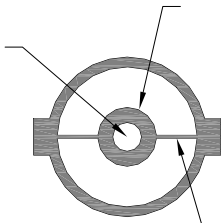
Annulus thickness .040

Crosswire/ Post thickness .020

Price \$12.50



APERTURE DIAMETER



ANNULUS THICKNESS

CROSSWIRE/ POST THICKNESS

Style of insert #1 _____

Aperture diameter _____

Annulus thickness _____

Crosswire/ Post thickness _____

Price _____ Make of sight _____

Style of insert #2 _____

Aperture diameter _____

Annulus thickness _____

Crosswire/ Post thickness _____

Price _____ Make of sight _____

Style of insert #3 _____

Aperture diameter _____

Annulus thickness _____

Crosswire/ Post thickness _____

Price _____ Make of sight _____

Style of insert #4 _____

Aperture diameter _____

Annulus thickness _____

Crosswire/ Post thickness _____

Price _____ Make of sight _____

Style of insert #5 _____

Aperture diameter _____

Annulus thickness _____

Crosswire/ Post thickness _____

Price _____ Make of sight _____

Style of insert #6 _____

Aperture diameter _____

Annulus thickness _____

Crosswire/ Post thickness _____

Price _____ Make of sight _____

Total number of inserts in this order _____

Total price for all inserts in this order. _____

Shipping _____ **Total price** _____

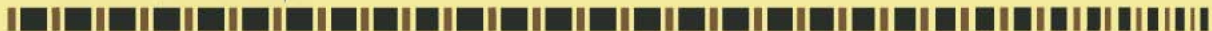
Ship to: NAME _____

MAILING ADDRESS _____

CITY, STATE, ZIP CODE _____



Order Form



To order custom inserts go to page 2.

Distant Thunder Sights and Inserts:

| Description | Quantity | Price | Subtotal |
|-------------|----------|-------|----------|
| | | | |
| | | | |
| | | | |
| | | | |
| | | | |
| | | | |
| | | | |
| | | | |
| | | | |

Order total _____
 Tax _____
 Shipping* _____
 Total _____

**Use Shipping Rate Chart below to calculate shipping cost*

Mail shipment to:

Name _____

Address _____

Telephone _____

Email _____

| SHIPPING RATE CHART | |
|---|---------------|
| Shipping is by USPS priority mail (insured) unless otherwise requested. | |
| Amount of merchandise | Shipping cost |
| \$0 to \$50 | \$7.20 |
| \$50.01 to \$100 | \$7.70 |
| \$100.01 to \$200 | \$8.25 |
| \$200.01 to \$300 | \$10.20 |
| \$300.01 to \$400 | \$11.30 |
| \$400.01 to \$500 | \$12.40 |
| \$500.01 to \$600 | \$13.50 |
| \$600.01 to \$5,000 | see below** |
| **\$13.50 plus \$1.10 per \$100 or fraction thereof over \$600 in declared value. | |

Payment is by check or money order made *payable to O'Hare Tool* & mailed to:

O'Hare Tool
 PO Box 138
 Niagara, WI 54151

Prices subject to change. Rush delivery is available at additional cost. Please call or email for options.