



CUSTOM INSERTS ORDER FORM

Please print this order form and fill in the information to order your custom inserts. Send the form along with your check or money order made out to *O'Hare Tool Distant Thunder Products*, PO Box 138, Niagara, WI 54151.

Fill in the style and dimensions for each insert you would like. Refer to the price sheet for different styles. Or, if you want something not shown, give me a call to work out the details and pricing: 715-251-3839.

▶▶ Please remember to make your check or money order payable to O'Hare Tool. ◀◀

EXAMPLE

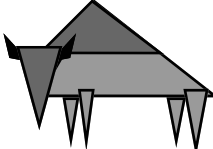
Style of insert #1 2 WIRE APERTURE

Aperture diameter .100

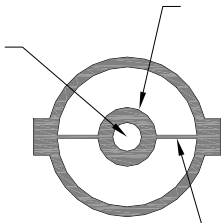
Annulus thickness .040

Crosswire/ Post thickness .020

Price \$12.50



APERTURE DIAMETER



ANNULUS THICKNESS

CROSSWIRE/ POST THICKNESS

Style of insert #1 _____

Aperture diameter _____

Annulus thickness _____

Crosswire/ Post thickness _____

Price _____ Make of sight _____

Style of insert #2 _____

Aperture diameter _____

Annulus thickness _____

Crosswire/ Post thickness _____

Price _____ Make of sight _____

Style of insert #3 _____

Aperture diameter _____

Annulus thickness _____

Crosswire/ Post thickness _____

Price _____ Make of sight _____

Style of insert #4 _____

Aperture diameter _____

Annulus thickness _____

Crosswire/ Post thickness _____

Price _____ Make of sight _____

Style of insert #5 _____

Aperture diameter _____

Annulus thickness _____

Crosswire/ Post thickness _____

Price _____ Make of sight _____

Style of insert #6 _____

Aperture diameter _____

Annulus thickness _____

Crosswire/ Post thickness _____

Price _____ Make of sight _____

Total number of inserts in this order _____

Total price for all inserts in this order. _____

Add \$1.00 for shipping. Total price _____

Ship to: NAME _____

MAILING ADDRESS _____

CITY, STATE, ZIP CODE _____