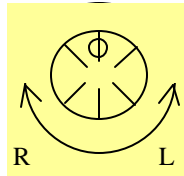
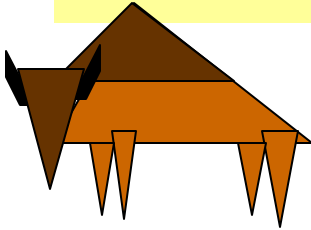
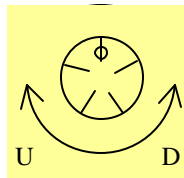


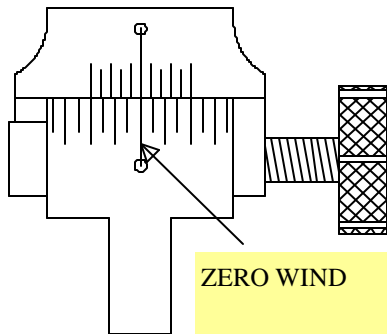
MAKING SIGHT CORRECTIONS WITH THE DISTANT THUNDER LONG RANGE TANG SIGHT



THE WINDAGE KNOB ON HAS 6 LINES, EACH LINE EQUALS 1/2 MINUTE. THERE ARE ALSO MARKS ON THE EDGE FOR EASY REFERENCE. A FULL TURN WILL MOVE THE WINDAGE APPROX. 3 MINUTES. CW MOVES THE BULLET TO THE RIGHT, CCW TO THE LEFT.

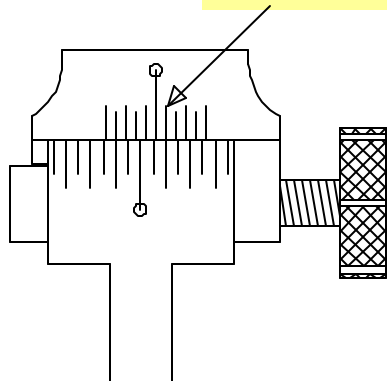


THE ELEVATION KNOB ON HAS 5 LINES, EACH LINE EQUALS 1/2 MINUTE. A FULL TURN WILL MOVE THE WINDAGE APPROX. 2 1/2 MINUTES UP OR DOWN. TO MOVE THE ELEVATION UP TURN THE KNOB CW, DOWN IS CCW.



ZERO WIND

6 MINUTES RIGHT WIND



THE DISTANT THUNDER TANG SIGHT HAS A VERNIER FOR SETTING THE WINDAGE BOTH LEFT AND RIGHT OF ZERO. EACH OF THE LOWER LINES EQUALS APPROXIMATELY 5 MINUTES, WHILE EACH OF THE UPPER LINES EQUALS 1 MINUTE. AS THE UPPER ZERO LINES MOVES TO THE RIGHT THE BULLET IMPACT ALSO MOVES TO THE RIGHT. WHEN THE UPPER ZERO ALIGNS WITH THE FRIST LOWER LINE TO THE RIGHT YOU HAVE 5 MINUTES RIGHT WIND. WHEN THE FIRST LINE TO THE RIGHT OF THE UPPER ZERO ALIGNS WITH THE SENCOND LINE TO THE RIGHT ON THE BOTTOM YOU HAVE 6 MINUTES RIGHT WIND. THEN AS THE SECOND UPPER LINE ALIGNS WITH THE THIRD LOWER LINE YOU HAVE 7 MINUTES. THIS CONTINUES UNTIL YOU HAVE TEN MINUTES, AT THAT POINT THE UPPER ZERO IS ALIGNED WITH THE SECOND LOWER LINE AND THE PROCESS STARTS AGAIN.